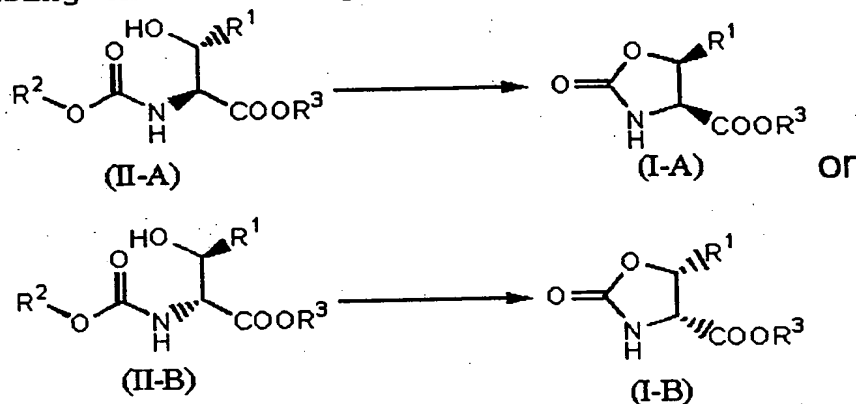


ABSTRACT

5 A method for producing a compound represented by the general formula (I-A) or the general formula (I-B), comprising the following step:



10 wherein R<sup>1</sup> is an optionally substituted lower alkyl, and the like; R<sup>2</sup> is a lower alkyl or an optionally substituted aralkyl, and the like; R<sup>3</sup> is a lower alkyl, characterized in that a compound represented by the general formula (II-A) or the general formula (II-B) is treated with thionyl chloride.